



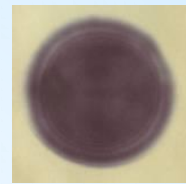
LOS

Lasers
& Optical
Systems

1.2 kW (6J × 200Hz) LD pumped Q-switched Nd:YAG Laser

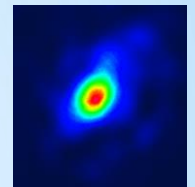
Wavelength	1064 nm
Output energy	6 J
Repetition rate	200 Hz
Pulse duration	10 ns
Beam diameter	25 mm
Beam divergence	<0.5 mrad
Laser Head Size	1000×700×220 mm
Laser Head Weight	80 kg

Near field



Output beam
Ø25 mm

Far field



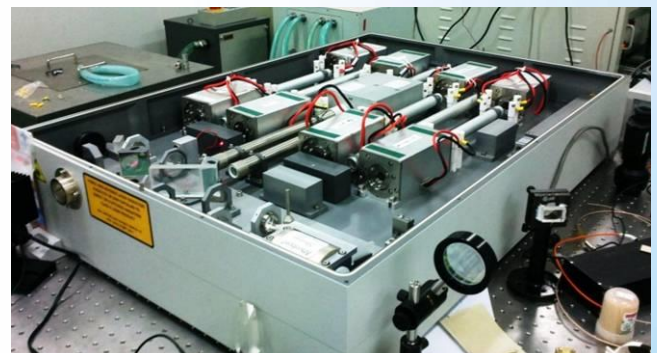
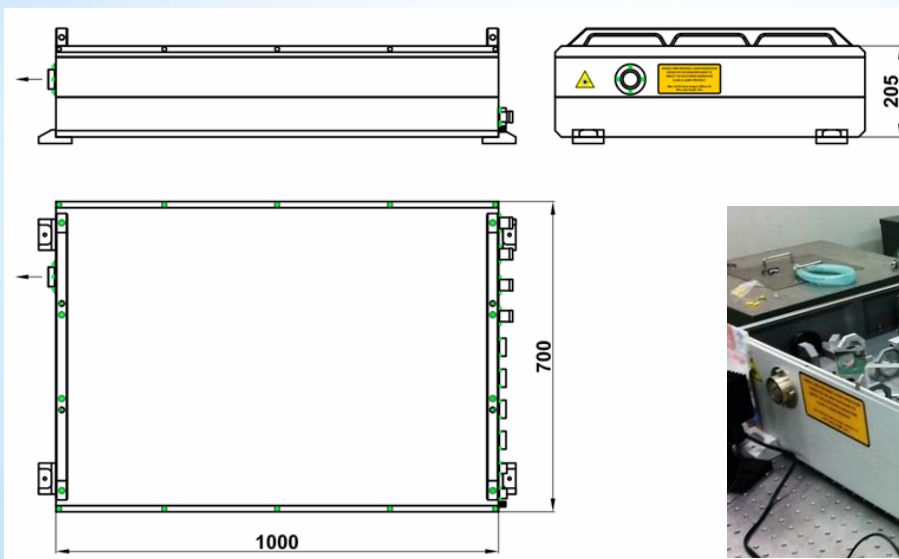
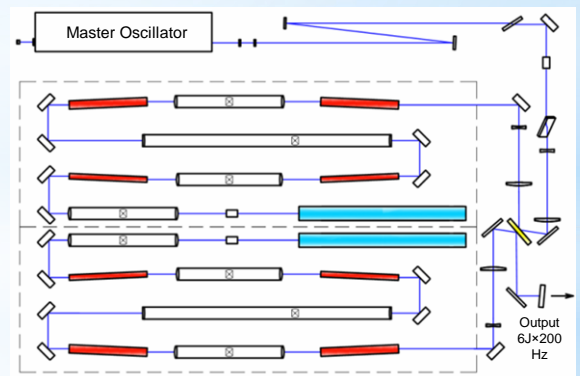
0.5 mrad



**Most Powerful in the World High Beam Quality
Q-switched LD pumped Nd:YAG laser***

Applications:

- Materials treatment, laser shock peening
- Thomson scattering diagnostics
- Long distance rangefinders (e.g. lunar locator, space debris monitoring)



* - compact, table top laser head

Phone: +7 812 323 19 08

www.los.su

los_spb@mail.ru