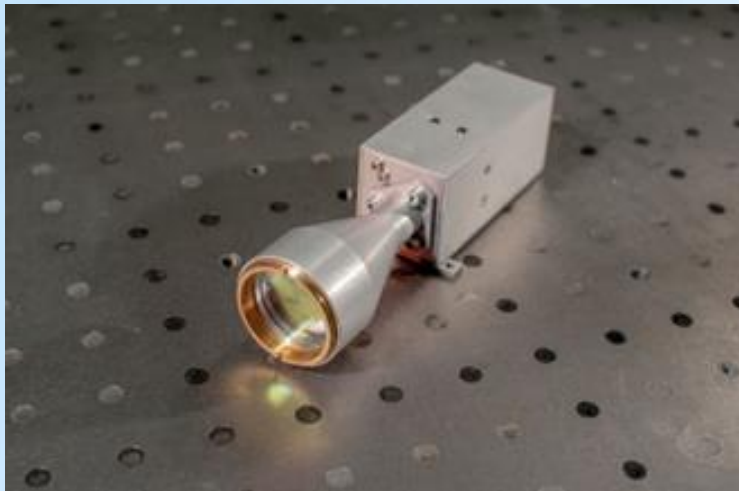


**LOS**Lasers
& Optical
Systems

Eye-safe 1,54 μm 12 mJx1 Hz Yb:Er glass Laser

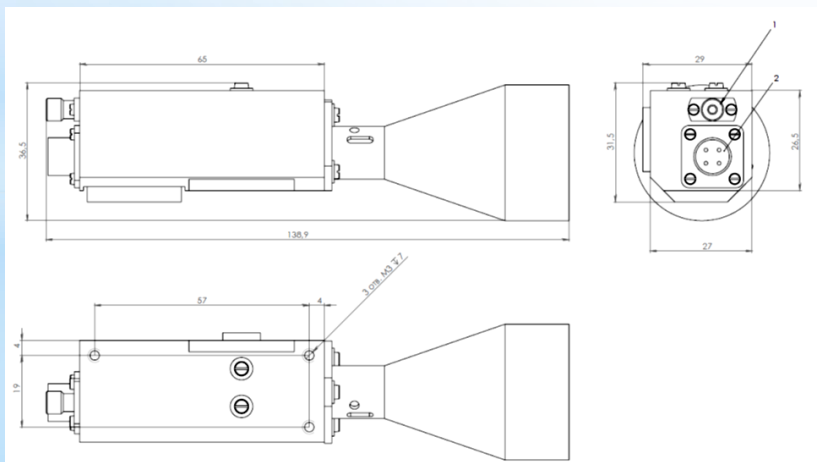


Technical characteristics:

Optical	
Wavelength	1.54 μm
Pulse energy	8-12 mJ
Pulse duration	25 ns
Beam divergence	4 arc min
Pulse repetition rate	1 Hz
Burst mode	5 Hz
Power supply	
Current	100 A
Pulse duration	5 ms
Voltage	5 V

Features:

- Eye-safe
- Acousto-optic modulator 80 MHz
- Portable
- Diode pumped
- Pulse repetition rate up to 5 Hz
- Operating temperature $-40^{\circ} \dots +60^{\circ} \text{C}$



Applications:

- Compact and portable rangefinders
- LIDAR
- Environmental monitoring
- Free space optical communication
- Navigation